



## Main

Range of product	Harmony Easy GXU
Product or component type	Advanced touchscreen panel
Display type	LCD touch screen
Display colour	65536 colours
Display resolution	800 x 480 pixels WVGA
Display size	10.1 inch

## Complementary

Backlight lifespan	20000 hours
[Us] rated supply voltage	24 V DC
Software designation	Vijeo Designer Basic configuration software
Memory description	Internal, 48 MB for application Internal DDR, 128 MB Internal, 128 kB for backup
Integrated connection type	USB type mini B COM1 serial link: 9-way male SUB-D connector, RS232C COM2 serial link: 9-way male SUB-D connector, RS422/RS485 USB type A Ethernet 10/100BASE-TX
Cut-out dimensions	255 x 185 mm

## Environment

Quality labels	CE
Ambient air temperature for operation	0...50 °C
Ambient air temperature for storage	-20...60 °C
IP degree of protection	IP65 (front panel)

Disclaimer: This documentation is not intended as a substitute for and is not to be used for determining suitability or reliability of these products for specific user applications

## Packing Units

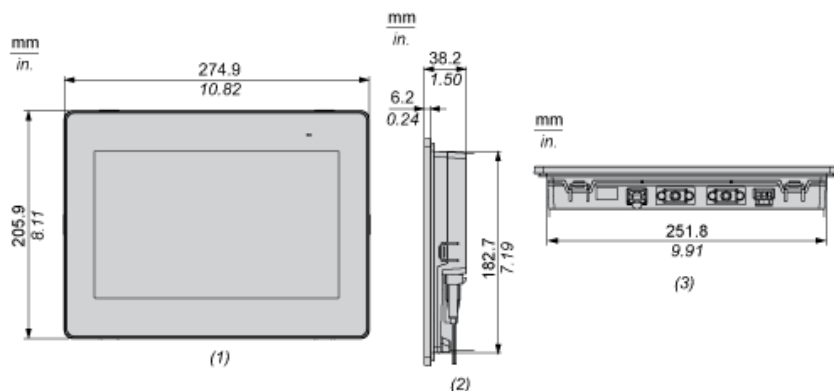
Package 1 Weight	1060.000 g
Package 1 Height	40.000 mm
Package 1 width	206.000 mm
Package 1 Length	275.000 mm

## Offer Sustainability

Sustainable offer status	Green Premium product
EU RoHS Directive	Pro-active compliance (Product out of EU RoHS legal scope) <a href="#">EU RoHS Declaration</a>
Mercury free	Yes
RoHS exemption information	<a href="#">Yes</a>
China RoHS Regulation	<a href="#">China RoHS declaration</a>
Environmental Disclosure	<a href="#">Product Environmental Profile</a>
Circularity Profile	<a href="#">End of Life Information</a>

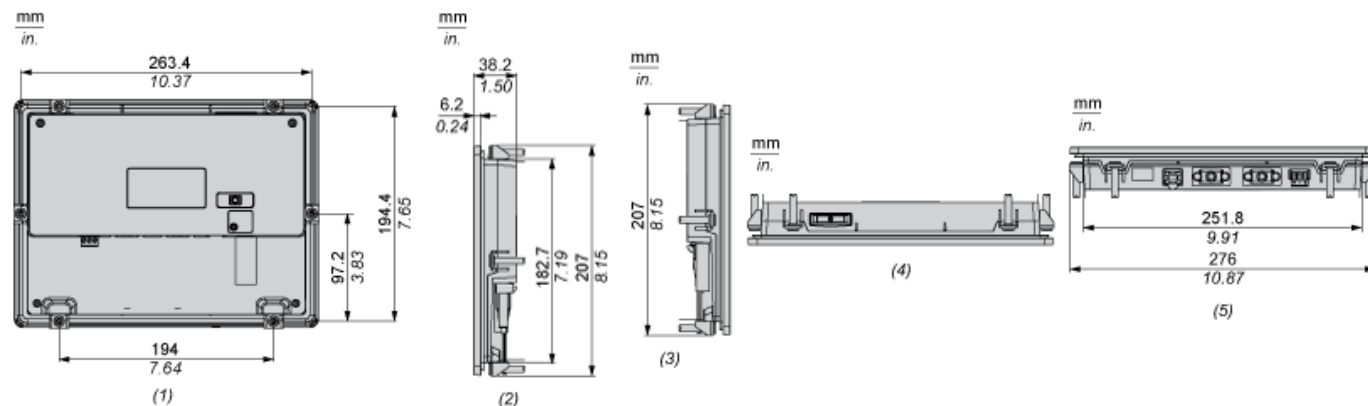
Dimensions

External Dimensions



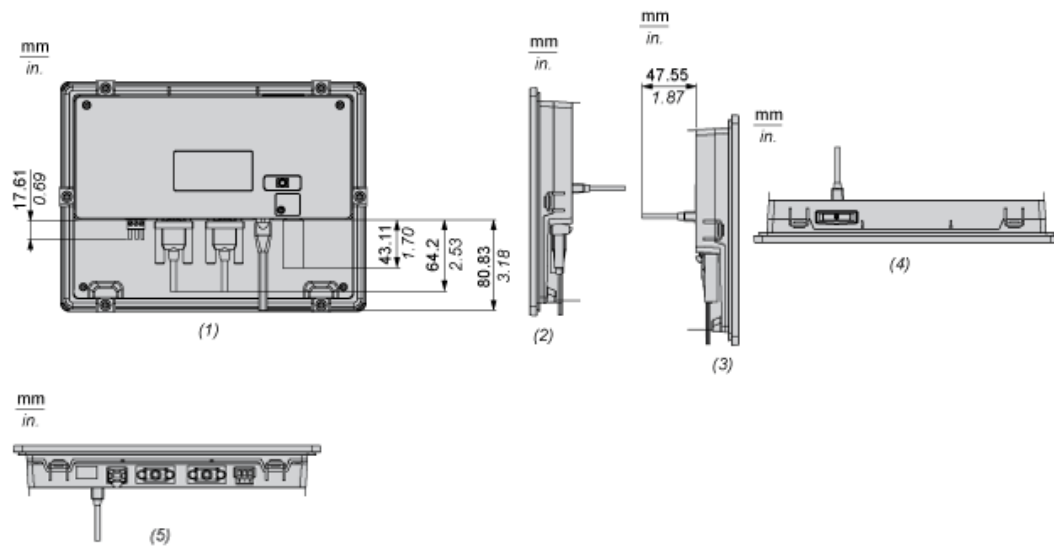
- (1) Front
- (2) Right
- (3) Bottom

Installation with Installation Fasteners



- (1) Rear
- (2) Right
- (3) Left
- (4) Top
- (5) Bottom

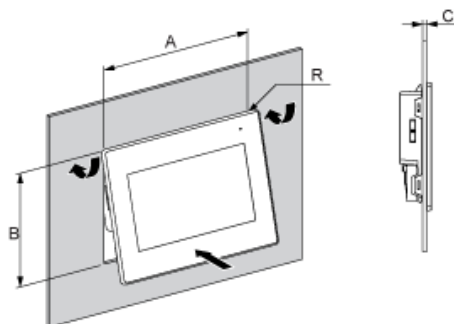
## Dimensions with Cables



- (1) Rear
- (2) Right
- (3) Left
- (4) Top
- (5) Bottom

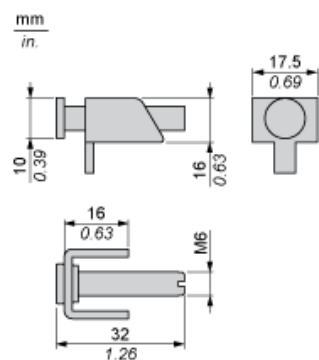
Mounting

Panel Cut Dimensions



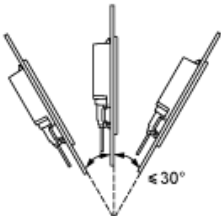
A		B		C		R	
mm	in.	mm	in.	mm	in.	mm	in.
255 <sup>±1</sup>	10.04 <sup>±0.04</sup>	185 <sup>+1</sup>	7.28 <sup>+0.04</sup>	1...5	0.04...0.19	3 max	0.12 max.

Installation Fasteners Dimensions



Installation Requirements

Mounting Angle



When installing the panel in a slanted position, and the panel face inclines more than  $30^\circ$ , the ambient temperature must not exceed  $40^\circ\text{C}$  ( $104^\circ\text{F}$ ).

Clearance

mm  
in.

