



Main

Range of product	Easy Modicon M200
Product or component type	Logic controller
[Us] rated supply voltage	24 V DC
Discrete I/O number	24
Discrete input number	I2...I5: 4 fast input I0, I1, I6, I7: 4 high speed input I8...I13: 6 regular input
Discrete output number	Q0...Q1: 2 fast output (PLS/PWM/PTO mode) Q2...Q9: 8 transistor output
Discrete input voltage	24 V
Discrete input voltage type	DC
Discrete input current	7 mA for input
Discrete input logic	Sink or source (positive/negative) type 1 conforming to EN/IEC 61131-2
Discrete output voltage	24 V DC
Discrete output current	0.5 A
Discrete output type	Transistor
Discrete output logic	Negative logic (sink)
Power consumption in W	10 W at 24 V DC (with max I/O)

Complementary

Maximum number of I/O expansion module	4 with 64 discrete output(s) for relay output 4 with 138 discrete output(s) for transistor output
Supply voltage limits	20.4...28.8 V
Inrush current	35 A
Voltage state 1 guaranteed	≥ 15 V for input
Voltage state 0 guaranteed	≤ 5 V for input
Input impedance	3.3 kOhm for discrete input
Response time	1 ms turn-on, Q0...Q9 terminal(s) for output 1 ms turn-off, Q0...Q9 terminal(s) for output

Disclaimer: This documentation is not intended as a substitute for and is not to be used for determining suitability or reliability of these products for specific user applications

	<p>5 µs turn-off, I0, I1, I6, I7 terminal(s) for high speed input</p> <p>5 µs turn-on, I0, I1, I6, I7 terminal(s) for high speed input</p> <p>100 µs turn-off, I2...I5 terminal(s) for fast input</p> <p>35 µs turn-on, I2...I5 terminal(s) for fast input</p> <p>100 µs turn-off, I8...I13 terminal(s) for regular input</p> <p>35 µs turn-on, I8...I13 terminal(s) for regular input</p>
Configurable filtering time	<p>0 ms for input</p> <p>3 ms for input</p> <p>12 ms for input</p>
Maximum current per output common	<p>2 A at COM 0</p> <p>3 A at COM 1</p>
Output frequency	100 kHz for fast output (PWM/PLS mode) at Q0...Q1
Maximum leakage current	0.1 mA for transistor output
Maximum voltage drop	<1 V
Maximum tungsten load	<12 W for output and fast output
Protection type	Overload and short-circuit protection at 3.8 A
Reset time	1 s automatic reset
Memory capacity	512 byte internal flash for backup of programs
Data storage equipment	32 GB micro SD card (optional)
Battery type	BR2032 Li-CFx (Lithium-Carbon Monofluoride), battery life: 5 year(s)
Backup time	3 years at 25 °C (by interruption of power supply)
Execution time for 1 KInstruction	0.3 ms for event and periodic task
Execution time per instruction	0.2 µs Boolean
Exct time for event task	60 µs response time
Clock drift	<= 90 s/month at 25 °C
Regulation loop	Adjustable PID regulator up to 14 simultaneous loops
Positioning functions	PWM/PLS 2 channel(s) at 100 kHz
Control signal type	<p>Quadrature (x1, x2, x4) at 100 kHz for fast input (HSC mode)</p> <p>Pulse/direction at 100 kHz for fast input (HSC mode)</p> <p>Single phase at 100 kHz for fast input (HSC mode)</p> <p>CW/CCW at 100 kHz for fast input (HSC mode)</p>
Counting input number	4 fast input (HSC mode) at 100 kHz 32 bits
Integrated connection type	<p>USB port with mini B USB 2.0 connector</p> <p>Non isolated serial link serial 1 with terminal block connector and RS485 interface</p> <p>Non isolated serial link serial 2 with terminal block connector and RS232/RS485 interface</p> <p>Ethernet Modbus TCP/IP Ethernet with RJ45 connector and 1 Ethernet port 10/100BASE-T interface</p> <p>Isolated serial link serial 2 with terminal block connector and RS485 interface</p>
Transmission rate	<p>1.2...115.2 kbit/s (115.2 kbit/s by default) for bus length of 15 m for RS485</p> <p>1.2...115.2 kbit/s (115.2 kbit/s by default) for bus length of 3 m for RS232</p> <p>12 Mbit/s for USB</p> <p>10/100 Mbit/s for bus length of 100 m for Ethernet Modbus TCP/IP</p>
Communication port protocol	<p>USB port: USB - SoMachine-Network</p> <p>Non isolated serial link: Modbus master/slave - RTU/ASCII or SoMachine-Network</p> <p>Ethernet Modbus TCP/IP: Modbus TCP/IP client/server</p>
Local signalling	<p>1 LED (green)PWR:</p> <p>1 LED (green)RUN:</p> <p>1 LED (red)module error (ERR):</p> <p>1 LED (green)SD card access (SD):</p> <p>1 LED (red)BAT:</p> <p>1 LED (green)SL1:</p> <p>1 LED per channel (green)I/O state:</p> <p>2 LEDs (green)communication (LK/ACT 10/100):</p>
Electrical connection	<p>Mini B USB 2.0 connectorfor a programming terminal</p> <p>RJ45 connectorfor connecting Ethernet network</p> <p>removable screw terminal blockfor inputs</p> <p>removable screw terminal blockfor outputs</p> <p>removable screw terminal block, 3 terminal(s) for connecting the 24 V DC power supply</p> <p>removable screw terminal block, 4 terminal(s) for connecting the serial link1</p>
Maximum cable distance between devices	<p>Unshielded cable: <50 m for input</p> <p>Shielded cable: <10 m for fast input</p> <p>Shielded cable: <10 m for high speed input</p> <p>Unshielded cable: <150 m for output</p>
Insulation	<p>Non-insulated between inputs</p> <p>Between input and internal logic at 500 V AC</p>

Between fast input and internal logic at 500 V AC
 Between input groups at 500 V AC
 Between output and internal logic at 500 V AC
 Between output groups at 500 V AC
 Between supply and internal logic at 500 V DC

Marking	CE
Mounting support	Top hat type TH35-15 rail conforming to IEC 60715 Top hat type TH35-7.5 plate or panel with fixing kit conforming to IEC 60715
Height	90 mm
Depth	70 mm
Width	130 mm
Net weight	0.391 kg

Environment

IP degree of protection	IP20 with protective cover in place
Product certifications	IACS E10 CULus RCM CSA
Standards	EN/IEC 61131-2 EN/IEC 61010-2-201
Electromagnetic compatibility	Electrostatic discharge immunity test - test level: 8 kV (air discharge) conforming to EN/IEC 61000-4-2 Electrostatic discharge immunity test - test level: 6 kV (contact discharge) conforming to EN/IEC 61000-4-2 Susceptibility to electromagnetic fields - test level: 10 V/m (80 MHz...3 GHz) conforming to EN/IEC 61000-4-3 Magnetic field at power frequency - test level: 30 A/m conforming to EN/IEC 61000-4-8 Electrical fast transient/burst immunity test - test level: 2 kV (power lines) conforming to EN/IEC 61000-4-4 Electrical fast transient/burst immunity test - test level: 2 kV (relay output) conforming to EN/IEC 61000-4-4 Electrical fast transient/burst immunity test - test level: 1 kV (I/O) conforming to EN/IEC 61000-4-4 Electrical fast transient/burst immunity test - test level: 1 kV (serial link) conforming to EN/IEC 61000-4-4 1.2/50 µs shock waves immunity test - test level: 1 kV (power lines (DC)) conforming to EN/IEC 61000-4-5 1.2/50 µs shock waves immunity test - test level: 2 kV (power lines (AC)) conforming to EN/IEC 61000-4-5 1.2/50 µs shock waves immunity test - test level: 2 kV (relay output) conforming to EN/IEC 61000-4-5 1.2/50 µs shock waves immunity test - test level: 1 kV (I/O) conforming to EN/IEC 61000-4-5 1.2/50 µs shock waves immunity test - test level: 1 kV (shielded cable) conforming to EN/IEC 61000-4-5 1.2/50 µs shock waves immunity test - test level: 0.5 kV (power lines (DC)) conforming to EN/IEC 61000-4-5 1.2/50 µs shock waves immunity test - test level: 1 kV (power lines (AC)) conforming to EN/IEC 61000-4-5 Conducted RF disturbances - test level: 10 V (0.15...80 MHz) conforming to EN/IEC 61000-4-6 Conducted emission - test level: 79 dBµV/m QP/66 dBµV/m AV (power lines (AC)) conforming to EN/IEC 55011 Conducted emission - test level: 73 dBµV/m QP/60 dBµV/m AV (power lines (AC)) conforming to EN/IEC 55011 Radiated emission - test level: 40 dBµV/m QP class A (10 m) conforming to EN/IEC 55011 Radiated emission - test level: 47 dBµV/m QP class A (10 m) conforming to EN/IEC 55011 Electrical fast transient/burst immunity test - test level: 1 kV (Ethernet line) conforming to EN/IEC 61000-4-4
Shock resistance	15 gn for 11 ms 30 gn for 6 ms
Immunity to microbreaks	2 ms
Vibration resistance	3.5 mm at 5...8.4 Hz on symmetrical rail 1 gn at 8.4...150 Hz on symmetrical rail 3.5 mm at 5...8.7 Hz on panel mounting 2 gn at 8.7...150 Hz on panel mounting
Relative humidity	10...95 %, without condensation (in operation) 10...95 %, without condensation (in storage)
Ambient air temperature for operation	0...55 °C (horizontal installation)
Ambient air temperature for storage	-25...70 °C

Pollution degree	<= 2
Operating altitude	0...2000 m
Storage altitude	0...3000 m

Packing Units

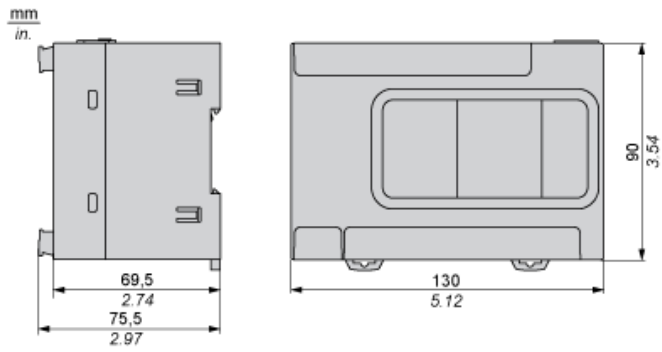
Package 1 Weight	0.819 kg
Package 1 Height	9.000 cm
Package 1 width	13.800 cm
Package 1 Length	13.700 cm

Offer Sustainability

Sustainable offer status	Green Premium product
EU RoHS Directive	Pro-active compliance (Product out of EU RoHS legal scope) EU RoHS Declaration
Mercury free	Yes
RoHS exemption information	Yes
China RoHS Regulation	China RoHS declaration
Environmental Disclosure	Product Environmental Profile
Circularity Profile	End of Life Information
WEEE	The product must be disposed on European Union markets following specific waste collection and never end up in rubbish bins

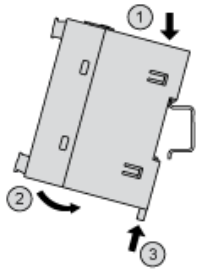
Dimensions Drawings

Dimensions

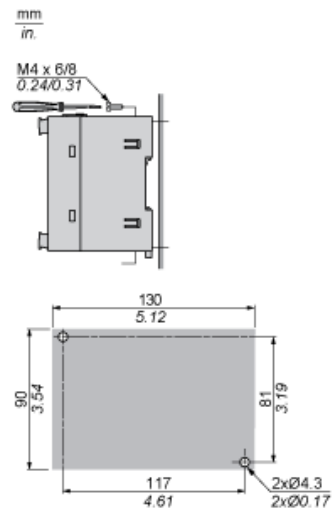


Mounting and Clearance

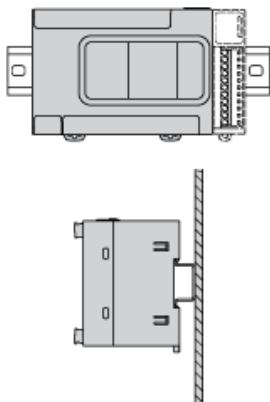
Mounting on a Rail

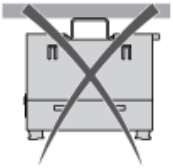
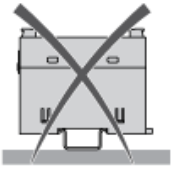


Direct Mounting on a Panel Surface



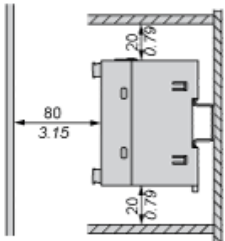
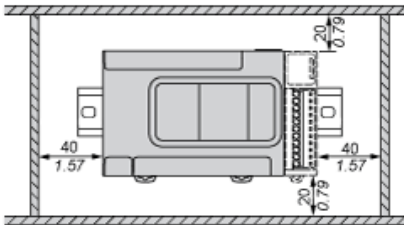
Mounting Position



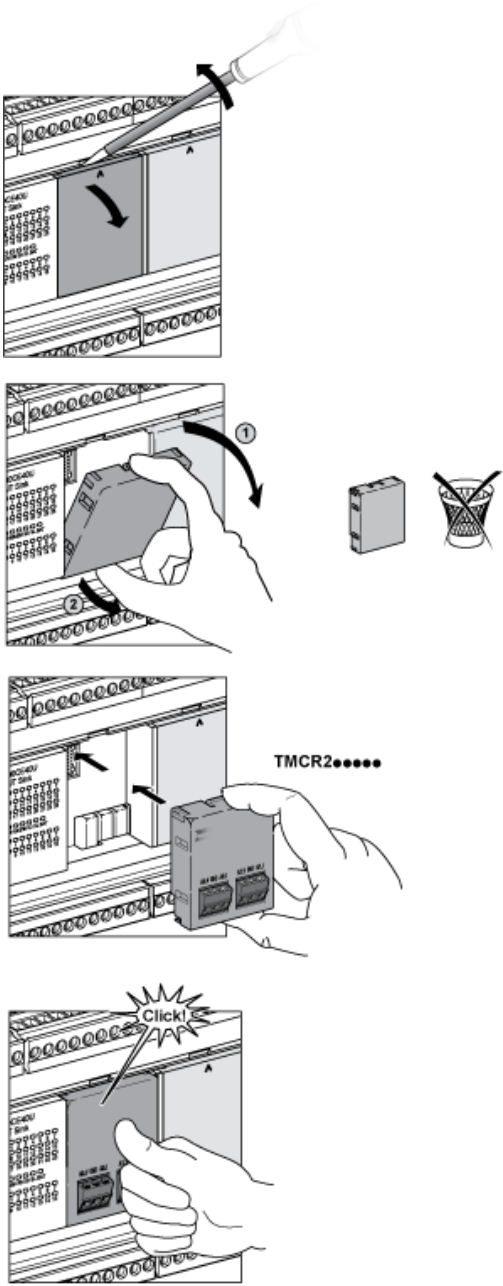


Clearance

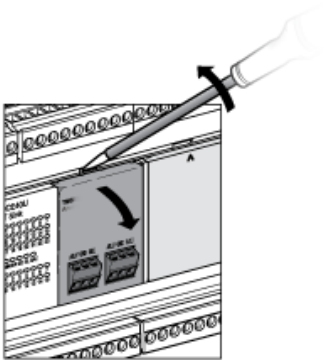
mm
in.

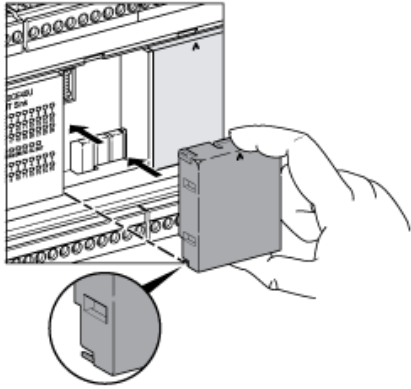
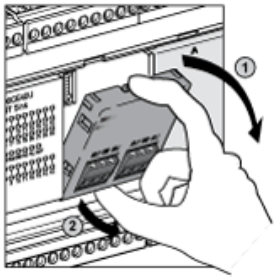


TMCR2...Installation



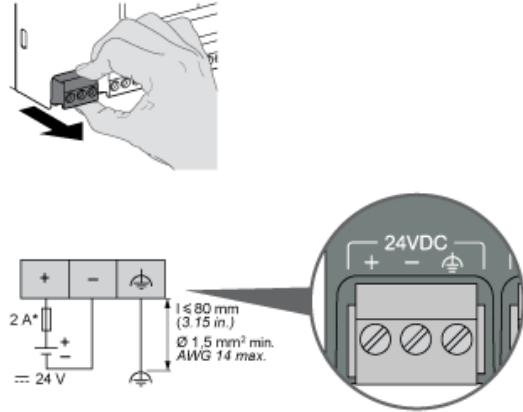
TMCR2... De-Installation





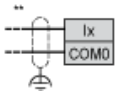
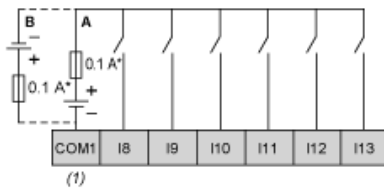
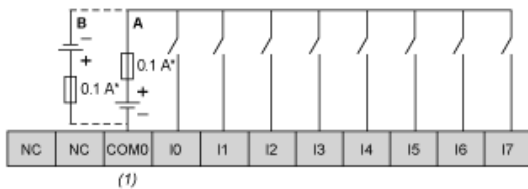
Wiring Diagram / Connections Schema

DC Power Supply



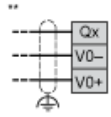
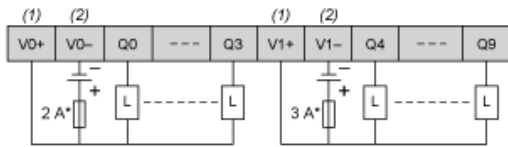
(*) Type T fuse

Digital Inputs (Sink or Source)



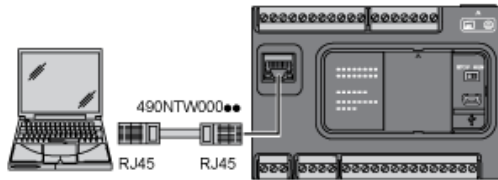
- (*) Type T fuse
- (**) Fast inputs
- A : Sink wiring (positive logic)
- B : Source wiring (negative logic)
- (1) The COM0 and COM1 terminals are not connected internally.

Regular and Fast Transistor Output



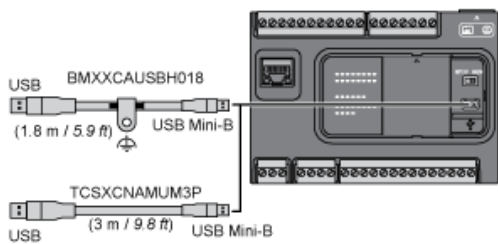
- (*) Type T fuse
- (**) Fast inputs
- (1) The V0+ and V1+ terminals are not connected internally.
- (2) The V0- and V1- terminals are not connected internally.

Ethernet Connection

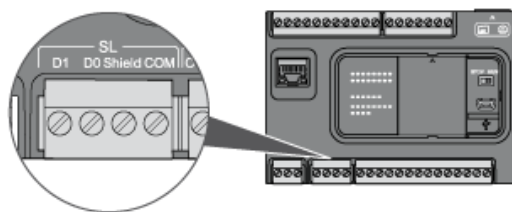


Pin N°	Signal
1	TD +
2	TD —
3	RD+
4	—
5	—
6	RD —
7	—
8	—

USB Mini-B Connection



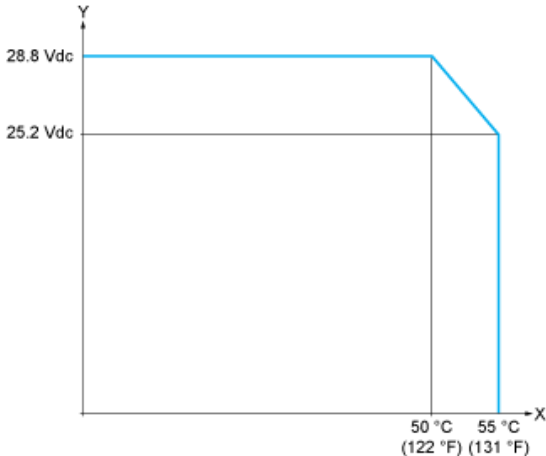
SL1 Connection



- D1 : D1 (A+)
- D0 : D0 (B-)
- Shield : Shield
- COM : 0 V Com

Derating Curves

Digital Inputs



X : Ambient temperature (°C / °F)
Y : Input voltage (V)