

XS7C40DP210

inductive sensor XS7 40x40x117 - plastic -
Sn15mm - 12..48VDC - terminals



Main

Range of product	OsiSense XS
Series name	General purpose
Sensor type	Inductive proximity sensor
Device application	-
Sensor name	XS7
Sensor design	Form 40 x 40 x 117
Size	117 mm
Body type	Fixed
Detector flush mounting acceptance	Flush mountable
Material	Plastic
Enclosure material	Plastic
Type of output signal	Discrete
Wiring technique	2-wire
[Sn] nominal sensing distance	15 Mm
Discrete output function	1 NO or 1 NC programmable
Output circuit type	DC
Electrical connection	Screw-clamp terminals, 2 x 1.5 mm ²
[Us] rated supply voltage	12...48 V DC with reverse polarity protection
Switching capacity in mA	1.5...100 mA with overload and short-circuit protection
IP degree of protection	IP67 conforming to IEC 60529



Complementary

Detection face	5 positions turret head
Front material	Plastic
Operating zone	0...12 Mm
Differential travel	3...20% of Sr
Repeat accuracy	<= 3% of Sr
Cable entry number	1 tapped entry for Pg 13.5 cable gland
Status LED	Output state: 1 LED (yellow)
Supply voltage limits	10...58 V DC

Maximum residual current	0.5 MA open state
Switching frequency	<= 1500 Hz
Maximum voltage drop	<4 V (closed)
Maximum delay first up	5 Ms
Maximum delay response	2 Ms
Maximum delay recovery	5 Ms
Marking	CE
Height	40 Mm
Length	40 Mm
Width	117 Mm
Net weight	0.22 Kg

Environment

Product certifications	C-Tick CSA UL CCC
Ambient air temperature for operation	-25...70 °C

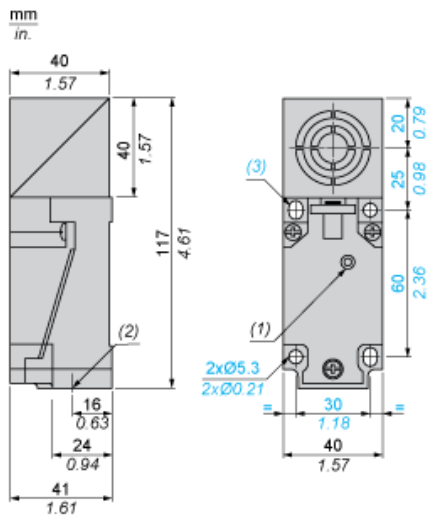
Packing Units

Package 1 Weight	0.241 Kg
Package 1 Height	0.470 Dm
Package 1 width	0.470 Dm
Package 1 Length	1.430 Dm

Contractual warranty

Warranty	18 months
----------	-----------

Dimensions

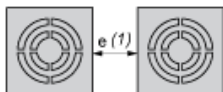


- (1) Output LED
- (2) 1 tapped entry for Pg 13.5 cable gland
- (3) 2 elongated holes $\varnothing 5.3 \times 7$

Setting-up

Minimum Mounting Distances (mm)

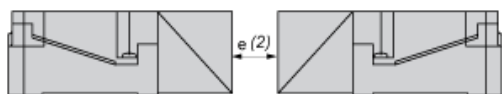
Side by Side



e (1) 40

≥

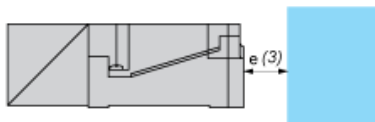
Face to Face



e (2) 120

≥

Facing a Metal Object



e (3) 45

≥

Wiring Schemes

2-Wire DC (Non Polarised)

